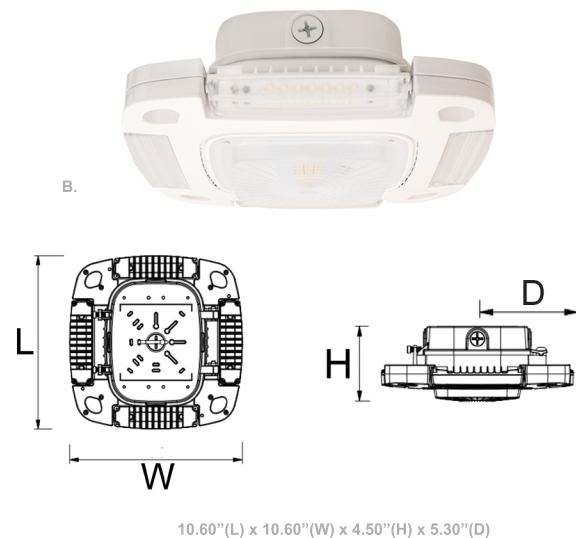
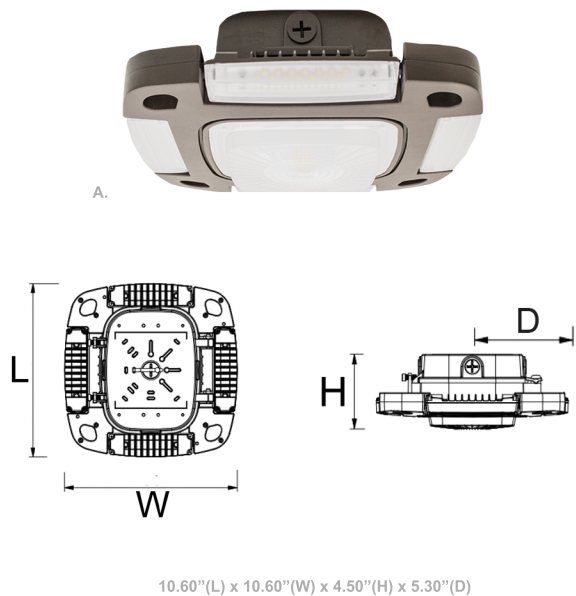




LED Adjustable Canopy/Parking Lights



Wattage

35W / 55W

Voltage Input

120-277V AC; 50/60Hz

Input Current

0.28 A

Efficacy

120-150 LPW

Dimming

0~10V Dimmable

Finish

Die-cast aluminum with powder coat finish
Bronze / White

Color Temperatures



Features



Factory-Installed Options

Catalog No.	Fig.	Catalog No.	Fig.
CDX-35W-35K-BR	A	CDX-55W-35K-WH	B.
CDX-35W-35K-WH	B	CDX-55W-40K-BR	A.
CDX-35W-40K-BR	A	CDX-55W-40K-WH	B.
CDX-35W-40K-WH	B.	CDX-55W-50K-BR	A.
CDX-35W-50K-BR	A	CDX-55W-50K-WH	B.
CDX-35W-50K-WH	B.		
CDX-55W-35K-BR	A.		

Watts	EM Options	Description	Photocell	Description	Paint	Sensor	Description
5-25W	OPT-EM-FM1INT	INTERNAL	OPT-PC-B	BUTTON	OPT-CLR-95(BK/GR/SR/WH)	OPT-SEN-2MD-35	PROGRAMMABLE MICROWAVE (B4LEVEL)
15-45W	OPT-EM-OD1INT	INTERNAL	OPT-PC-B	BUTTON	OPT-CLR-95(BK/GR/SR/WH)	WEC-3RC	OPTIONAL REMOTE CONTROL
30-80W	OPT-EM-OD2INT	INTERNAL	OPT-PC-B	BUTTON			
	OPT-EM-OD2INT	TAMPER RESISTANT SCREW					